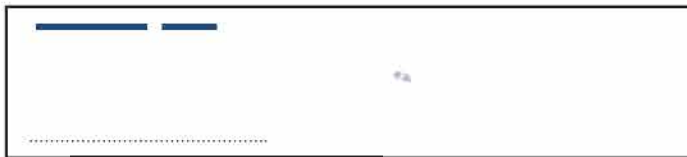
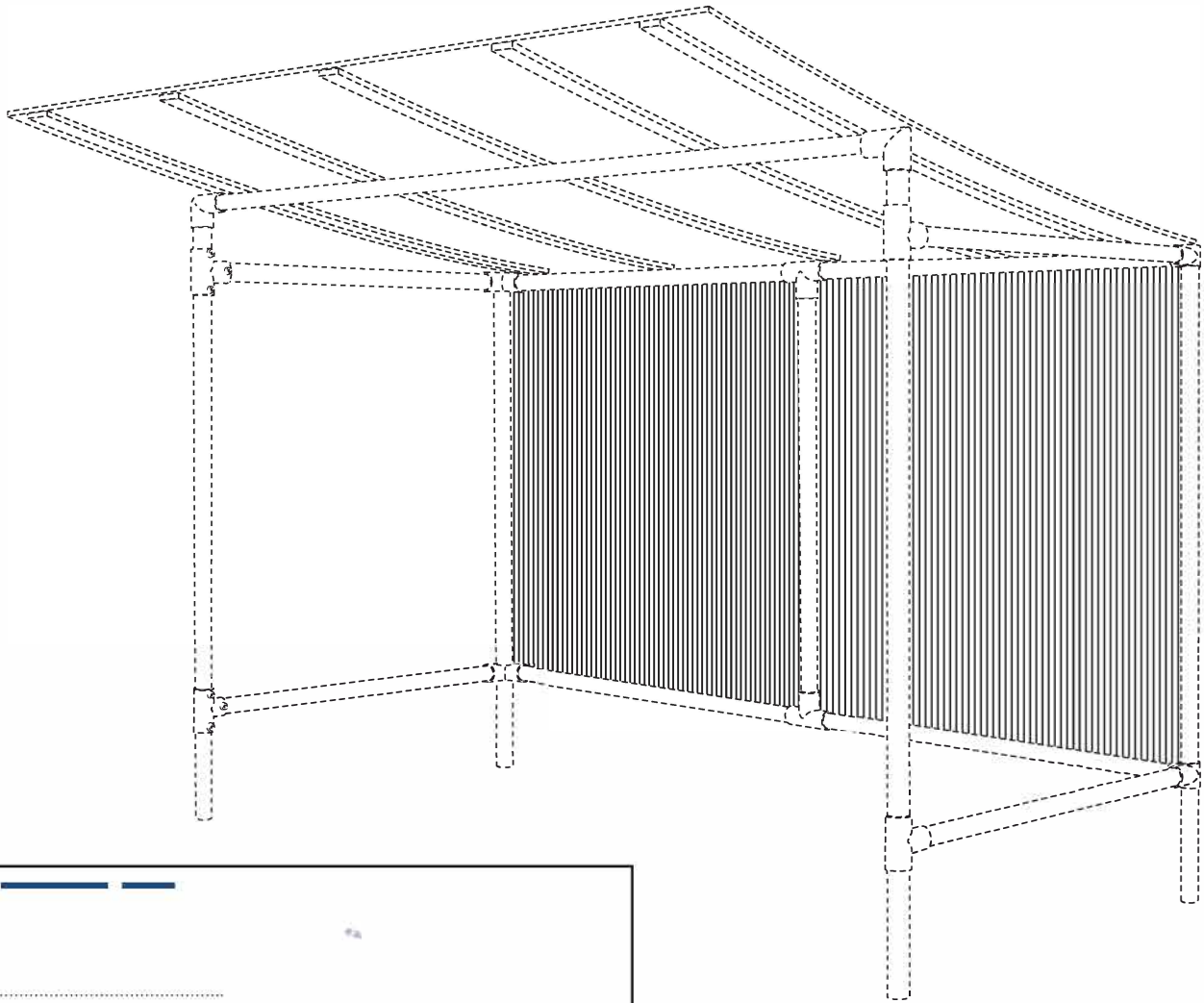


Montage Überdachungssystem 'Roof'

Rückwandverkleidung für Fahrradunterstände -



L (x 4)
1162
SFI 529270-03

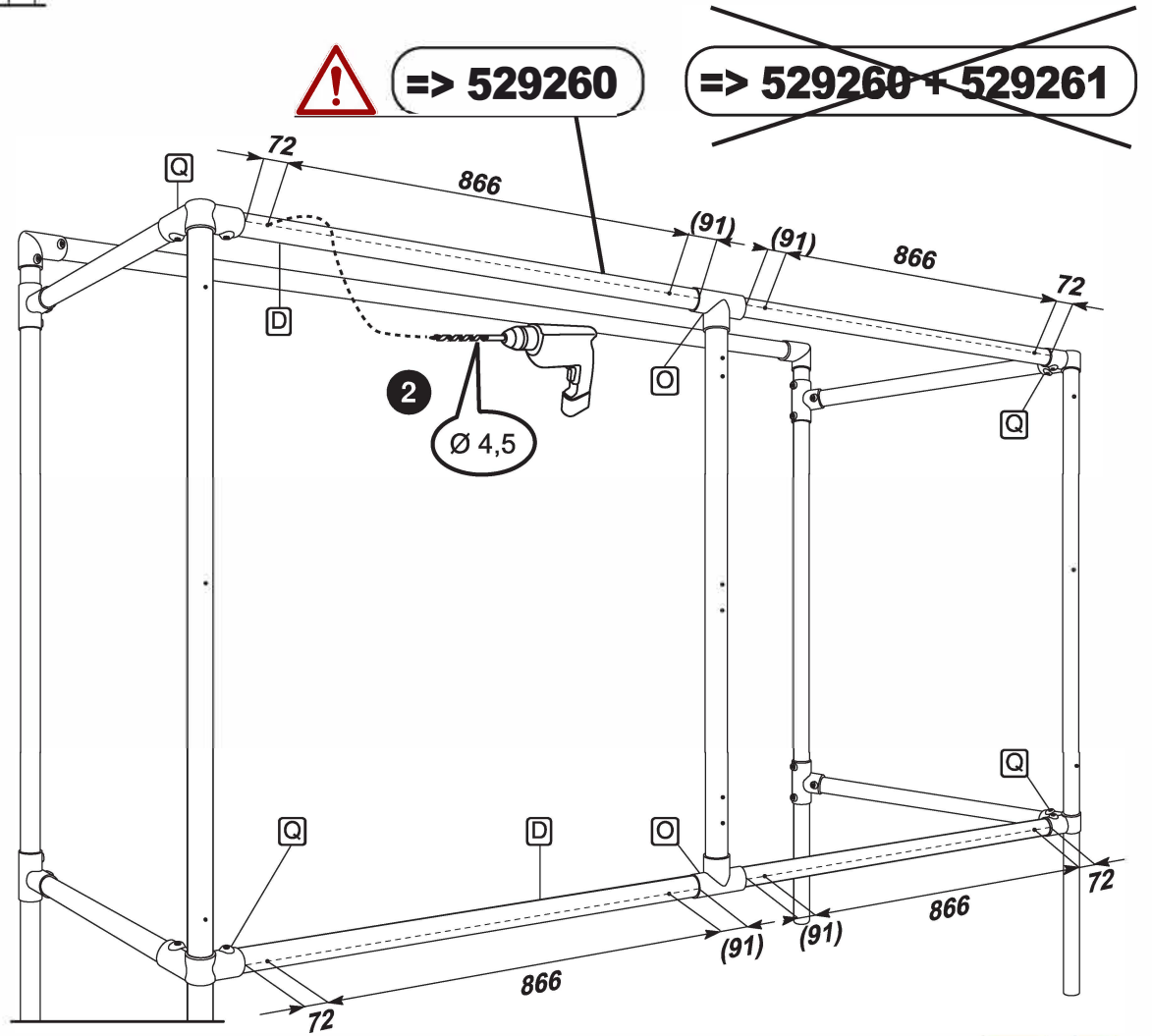
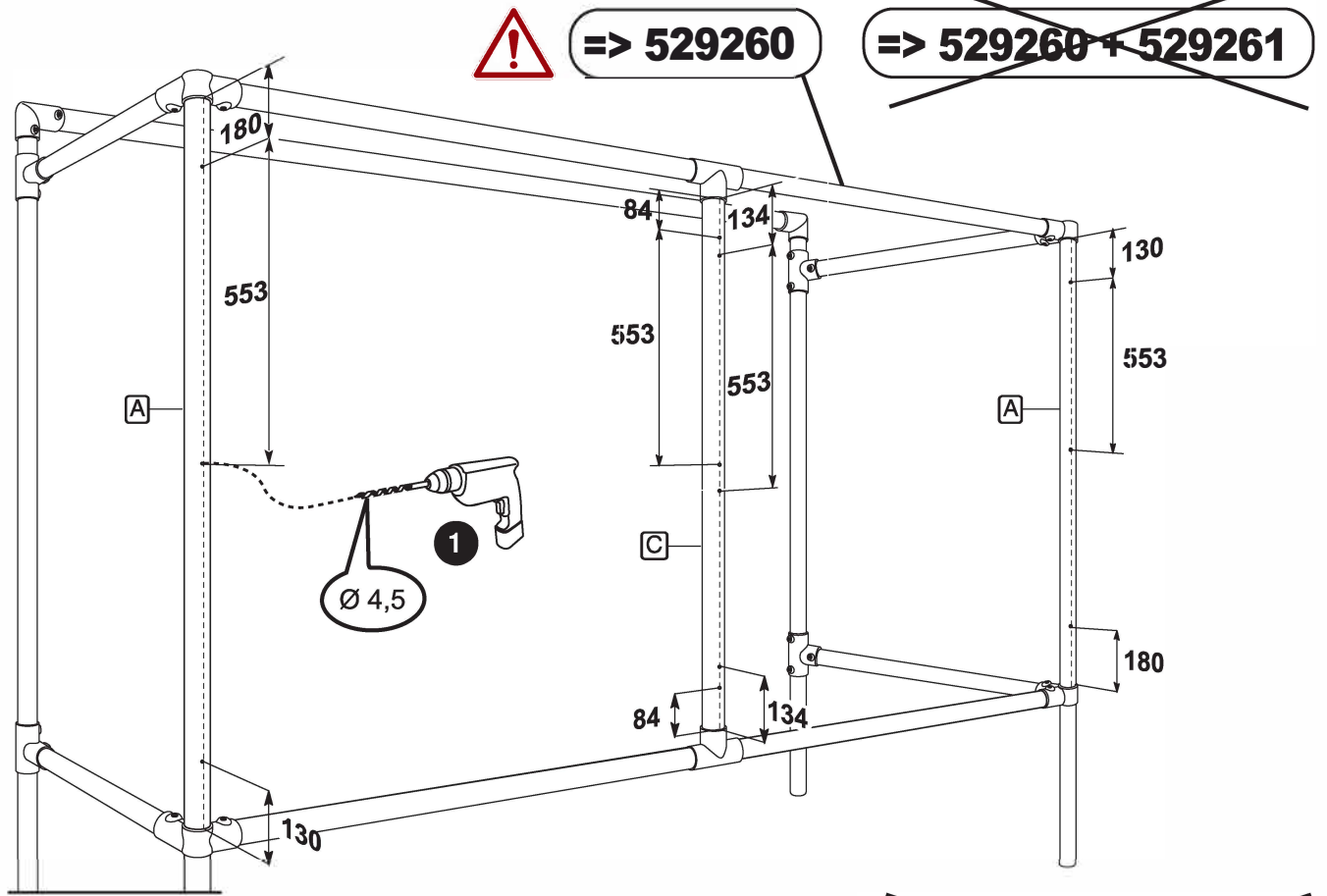
X (x 20)
H 6,3 x 50
ACC 22064

A (x 20)
Ø 6,4 x 18
ACC 18089

S (x 12)
ATE 529270

J (x 2)
1500 x 1162
VIT 529270-01

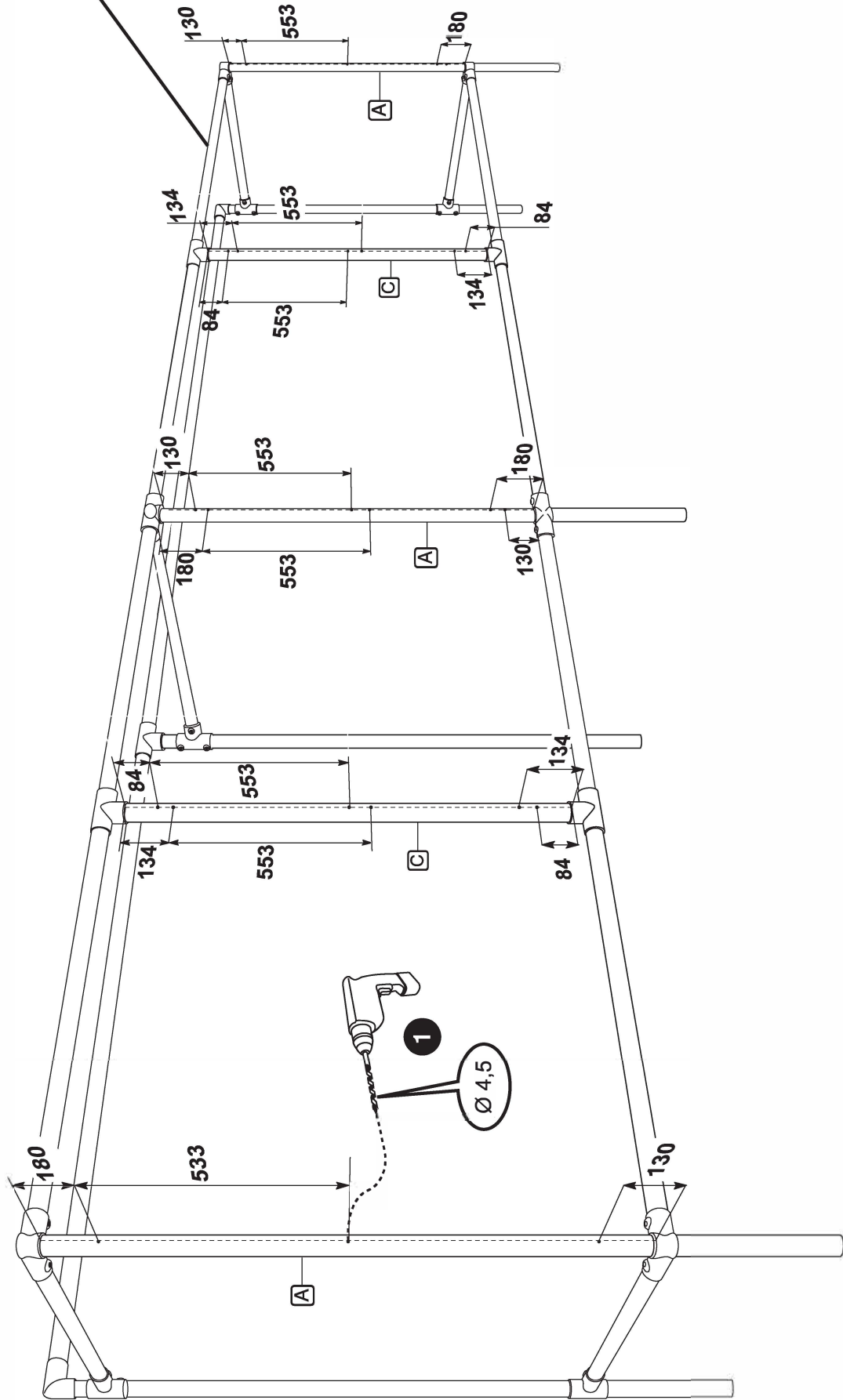
The diagram shows the assembly of the back wall paneling. It includes a list of components with their respective quantities and part numbers. A bolt and nut assembly is shown on the left, and a panel with a label 'J' is shown on the right. The components are: L (x 4), X (x 20), A (x 20), S (x 12), and J (x 2).





=> 529260 + 529261

~~**=> 529260**~~





=> 529260 + 529261

~~**=> 529260**~~

